

Service schematics

NOKIA
N8-00
RM-596



IMPORTANT

This document is intended for use by authorized Nokia service centers only. Please use the document together with other documents such as the Service Manual and Service Bulletins.

Measurements

All measurements were made using the following equipment:

Nokia repair SW	: Phoenix 2009.34.014.40684
Oscilloscope	: PicoScope 3206
Spectrum Analyzer	: Advantest R3162
Multimeter	: Fluke 175

The measurement points in the schematics are linked to the oscillograms on the signal overview page. The links cycle between the measurement point in the schematics, the oscillogram and the measurement point in the component finder.

This material, including documentation and any related computer programs is protected by copyright, controlled by Nokia. All rights are reserved. Copying, including reproducing, modifying, storing, adapting or translating any or all of this material requires the prior written consent of Nokia. This material also contains company confidential information, which may not be disclosed to others without the prior written consent of Nokia.

Version information

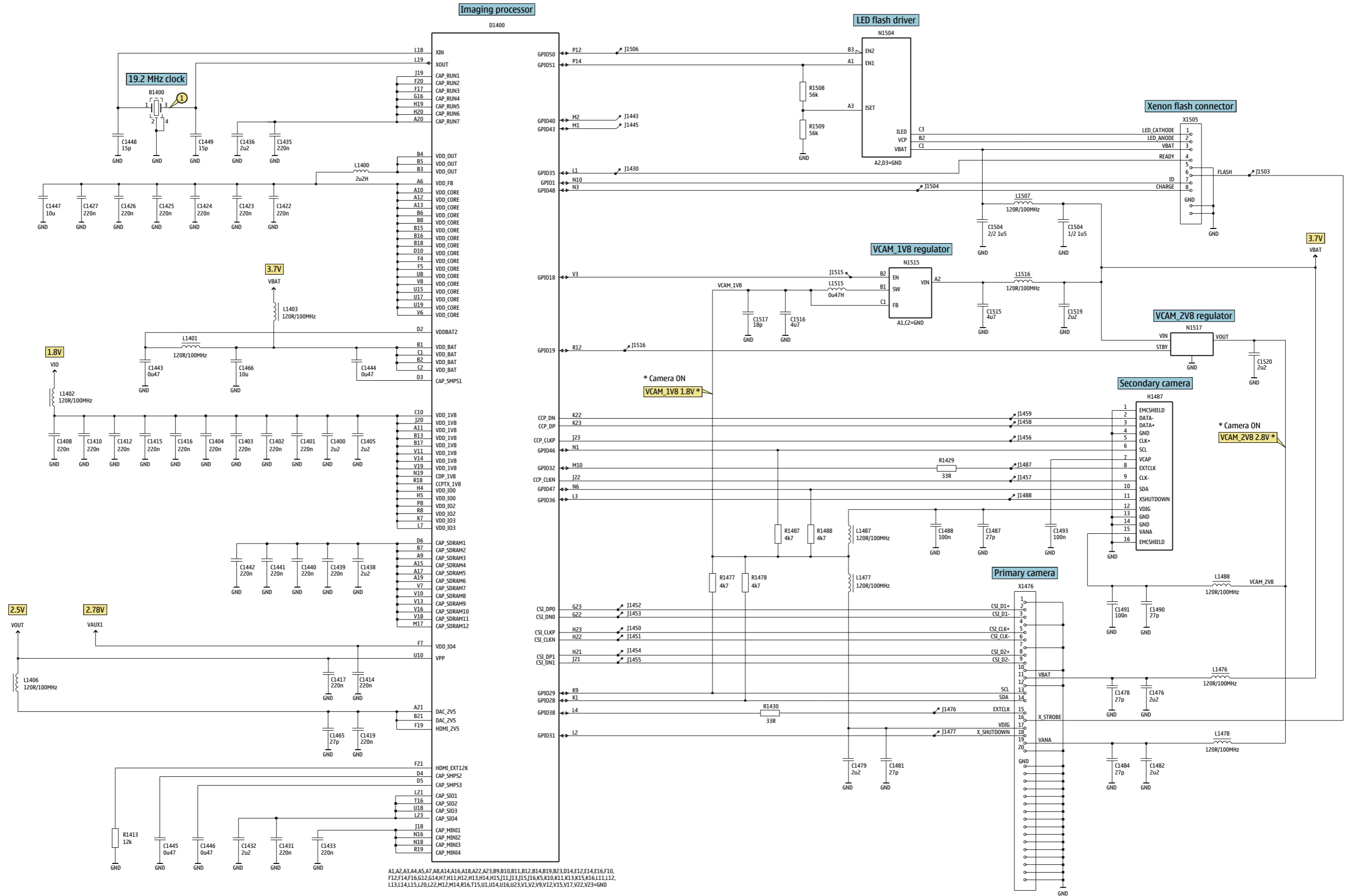
While every effort has been made to ensure that the document is accurate, some errors may exist. Please always check for the latest published version for this document.

If you find any errors in the document please send email to: service.manuals@nokia.com

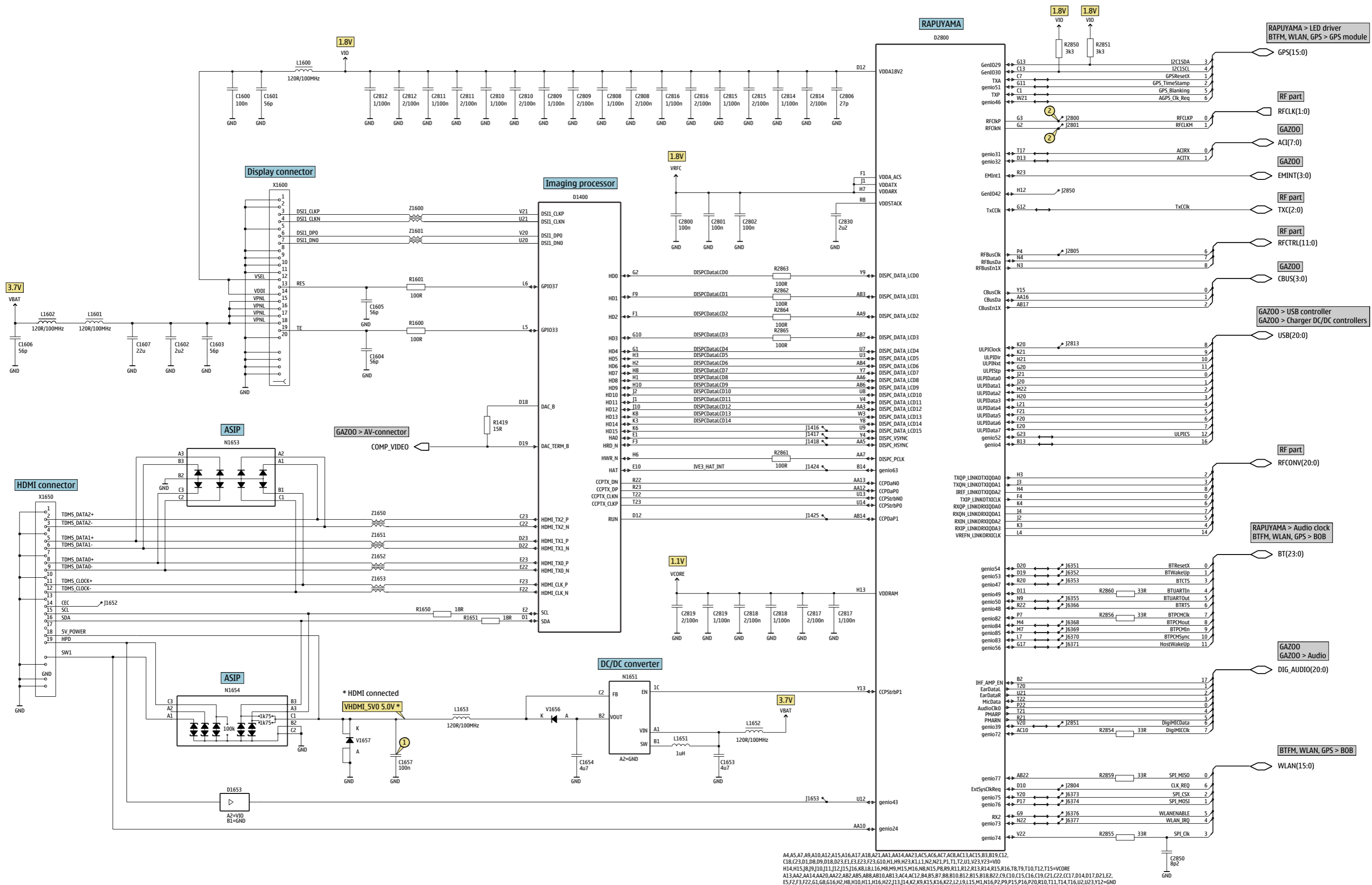
1.0	First approved version.
2.0	Second approved version.

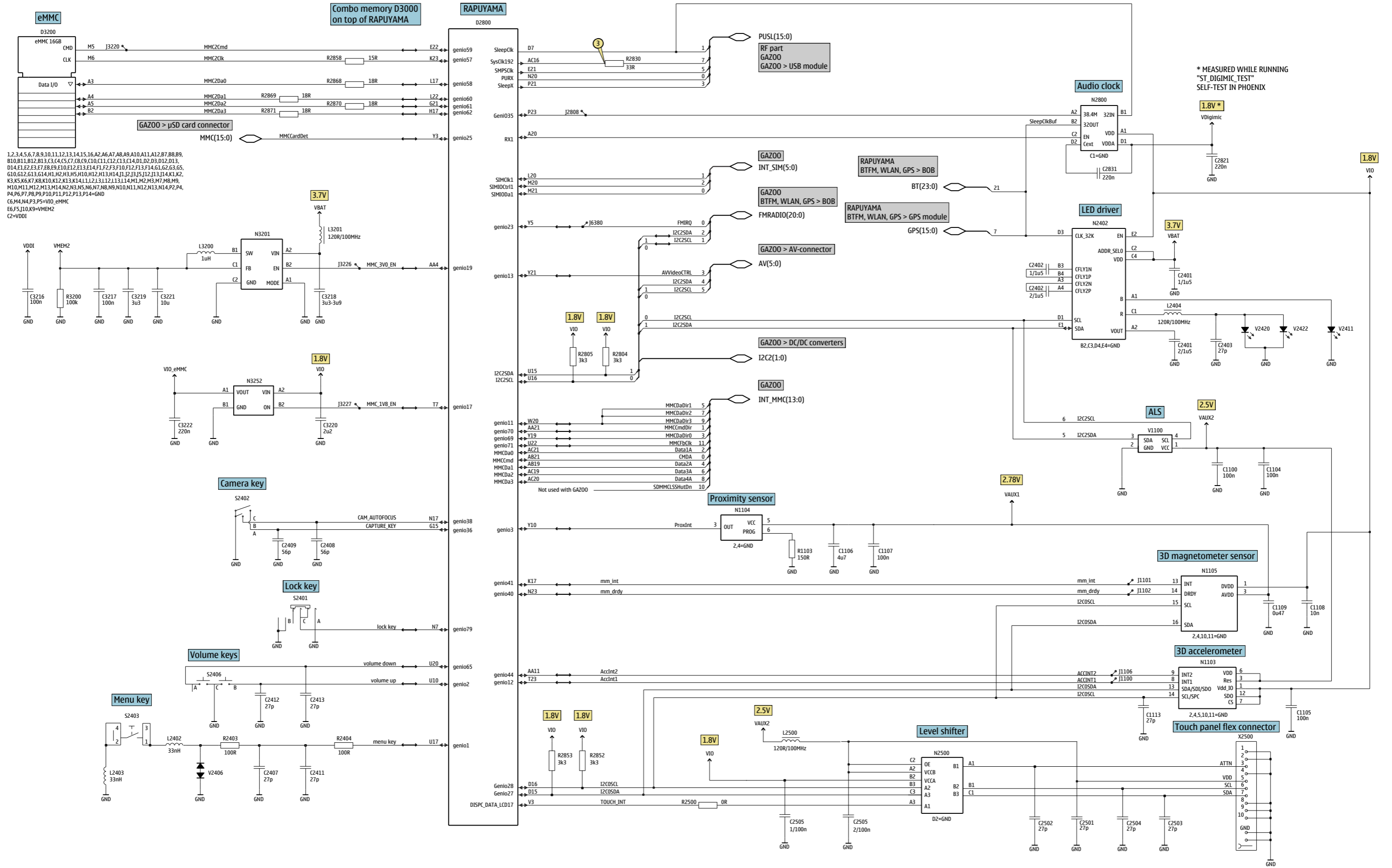
Contents

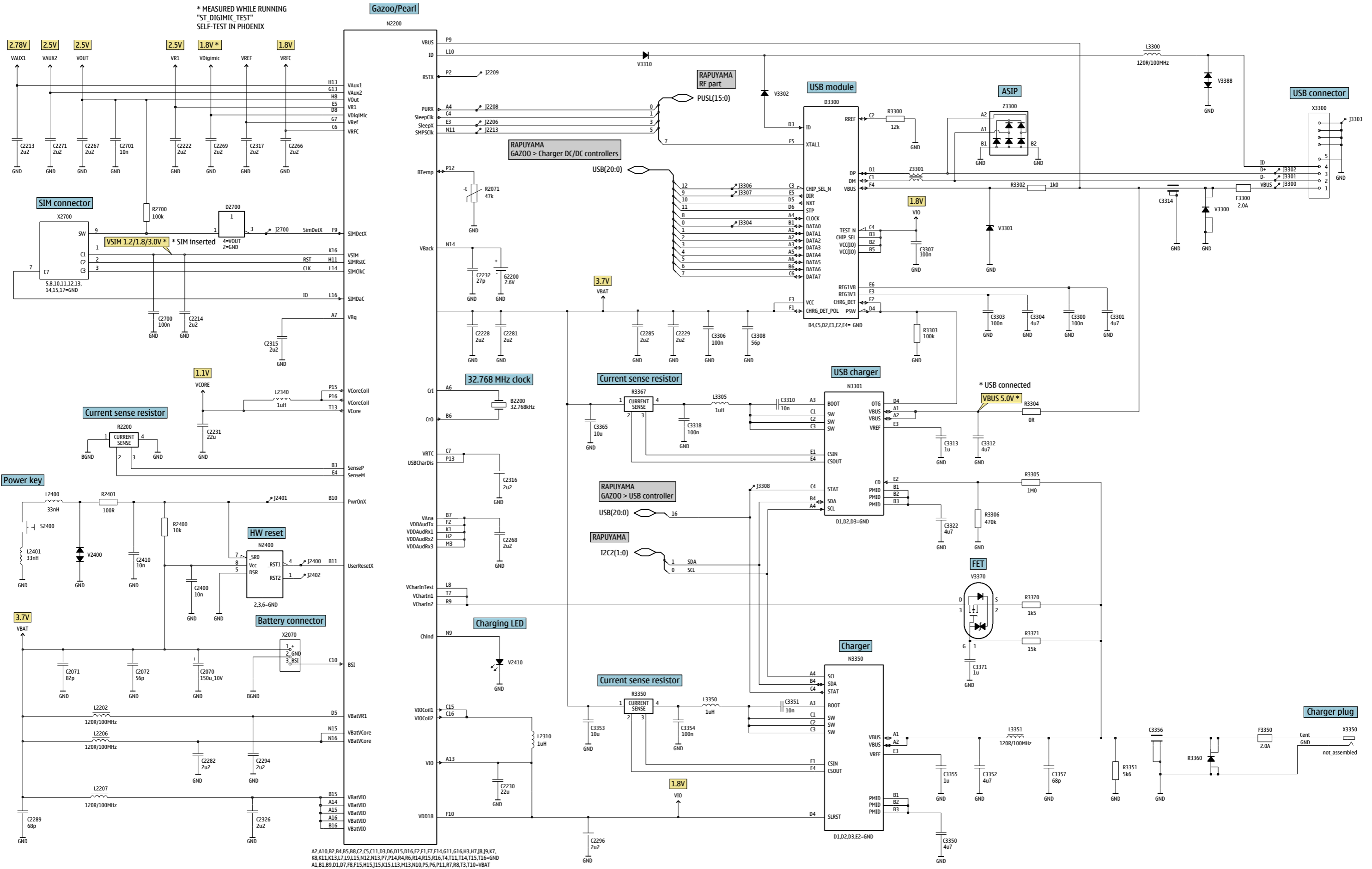
Front page	1
Imaging processor, Camera	2
RAPS, Imaging processor, Display IF, Touch IF, HDMI	3
RAPS, Mass memory, Combo memory, Sensors, LEDs, UI keys	4
GAZOO, Battery, HS USB, SIM, Power key	5
GAZOO, Audio, AV connector, MMC	6
BTH FM, WLAN, GPS	7
RF part	8
Signal overview top	9
Component finder top	10
Component finder bottom	11

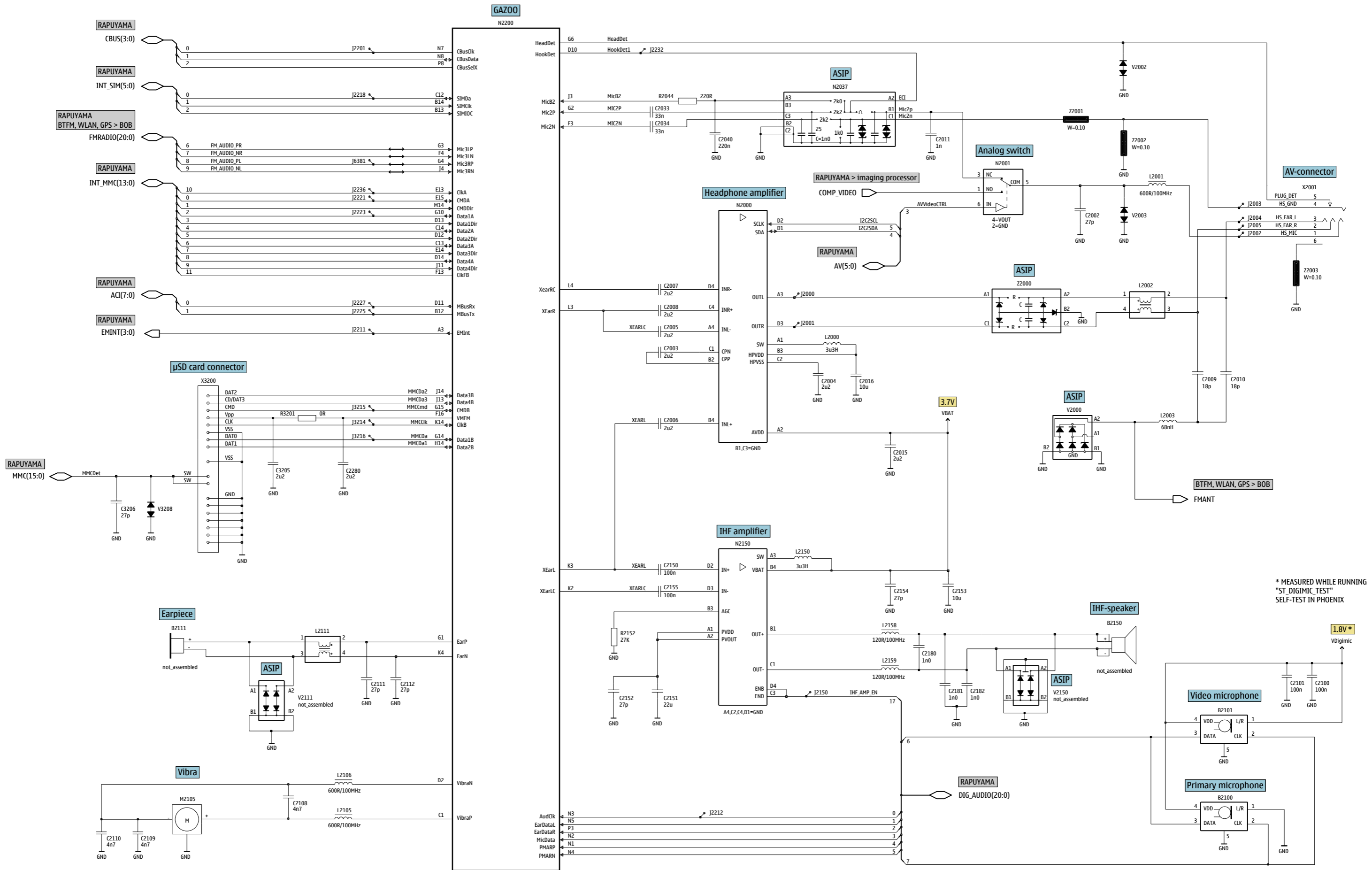


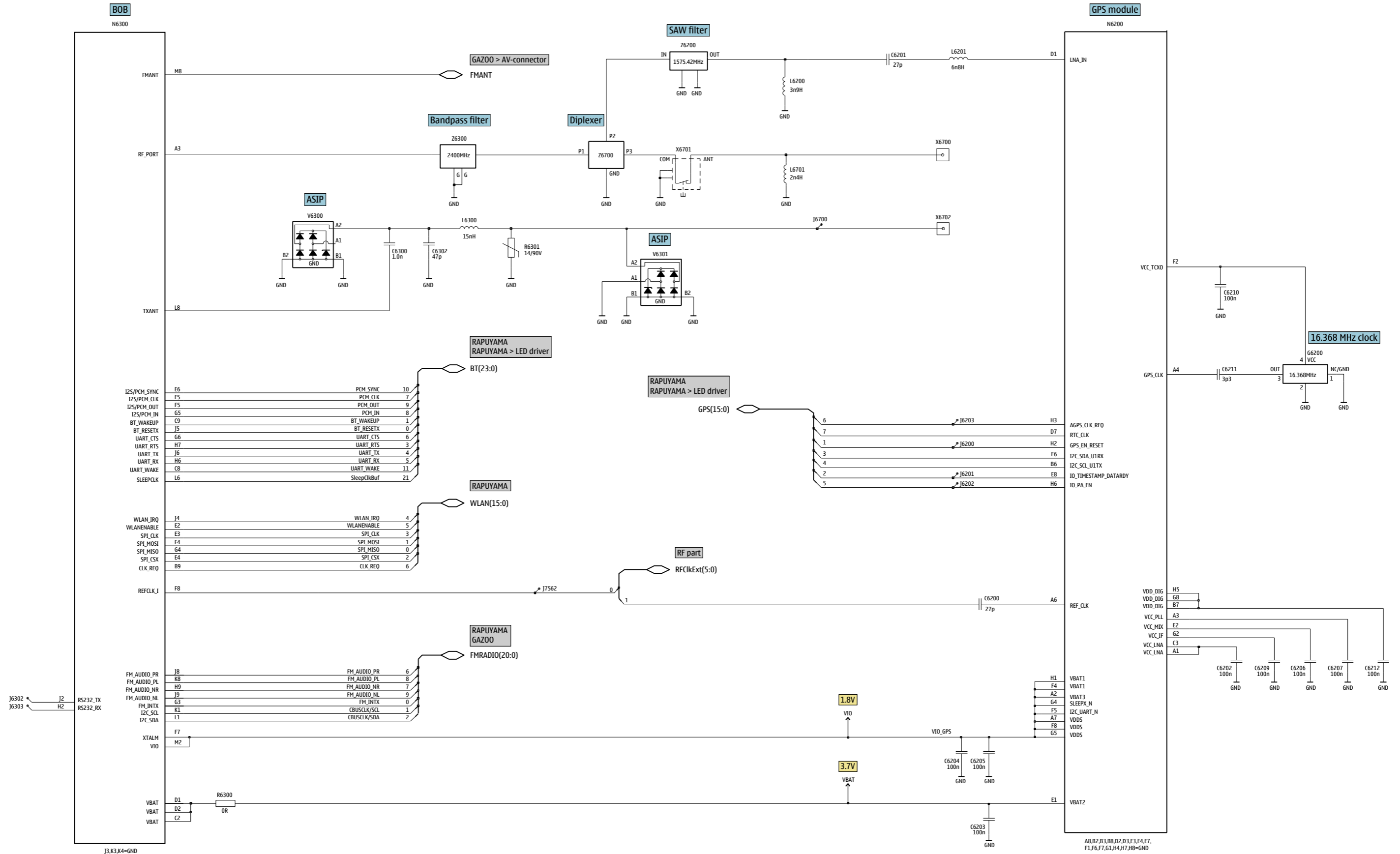
A1,A2,A3,A4,A5,A7,A8,A14,A16,A18,A22,A23,B9,B10,B11,B12,B14,B19,B23,D14,E12,E14,E16,F10,
 F12,F14,F16,G12,G14,H7,H11,H12,H13,H14,H15,H11,J13,J15,J16,K5,K10,K11,K13,K15,K16,L11,L12,
 L13,L14,L15,L20,L22,M12,M14,R16,T15,U1,U14,U16,U23,V1,V2,V9,V12,V15,V17,V22,V23=GND

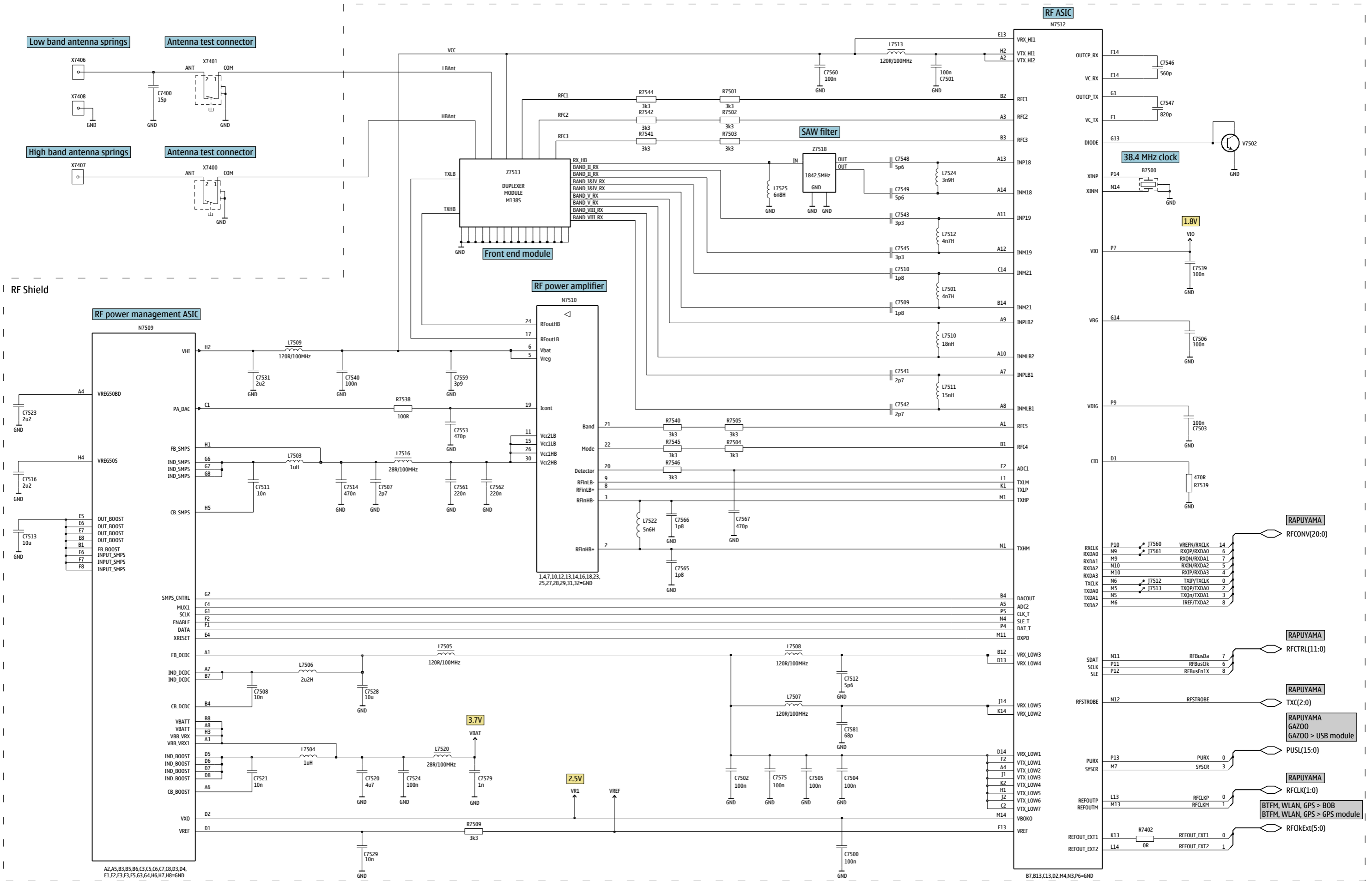




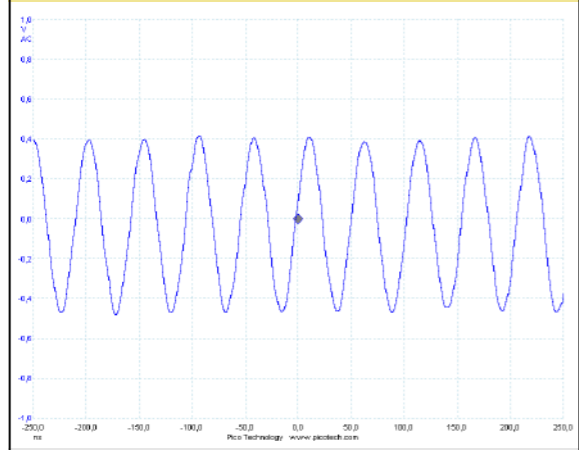






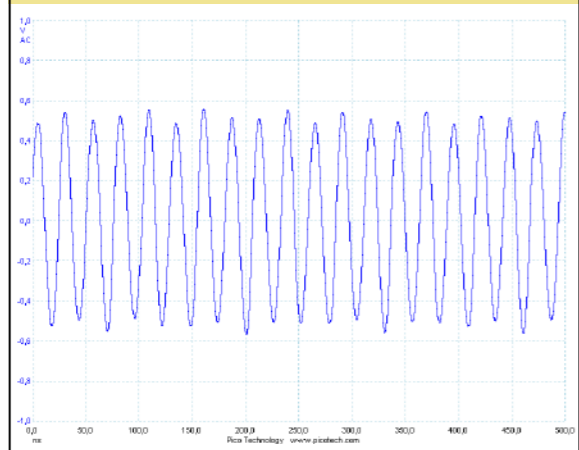


1) Imaging processor clock at B1400



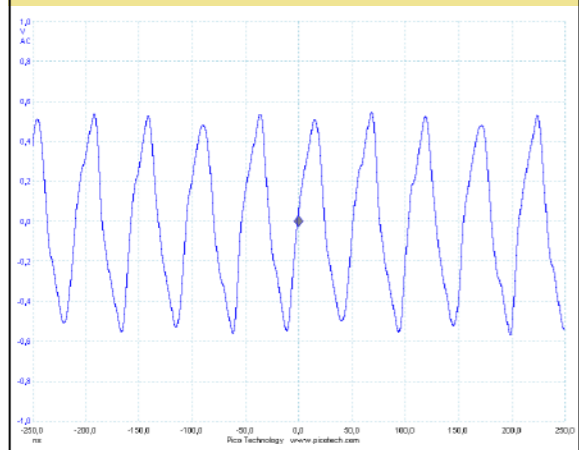
Average 19.2 Mhz
50ns/div 200mV/div, probe x10

2) RF clock between J2800 and J2801

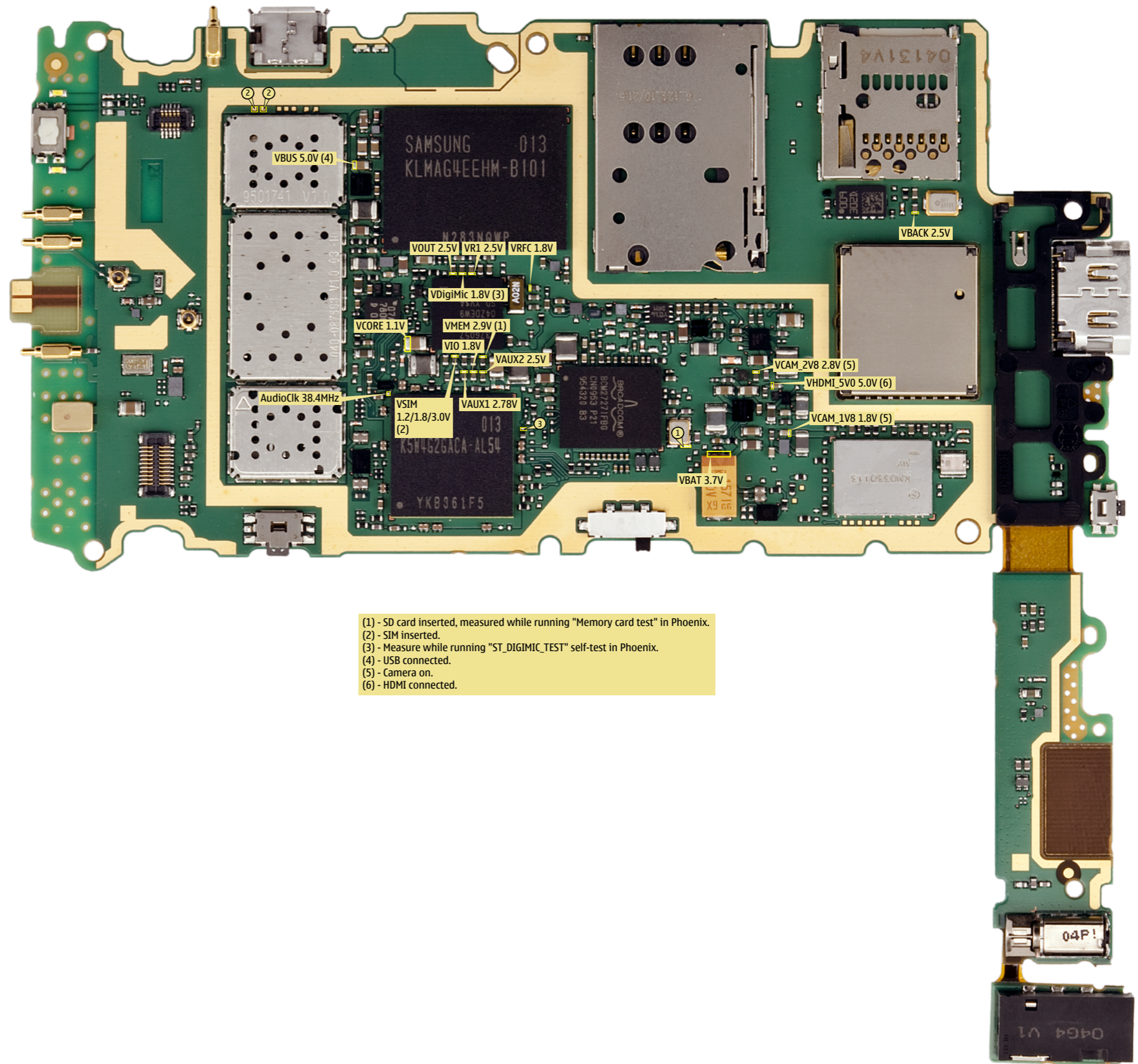


Average 38.4 Mhz
50ns/div 200mV/div, probe x10

3) Sys clock at R2830 (4)

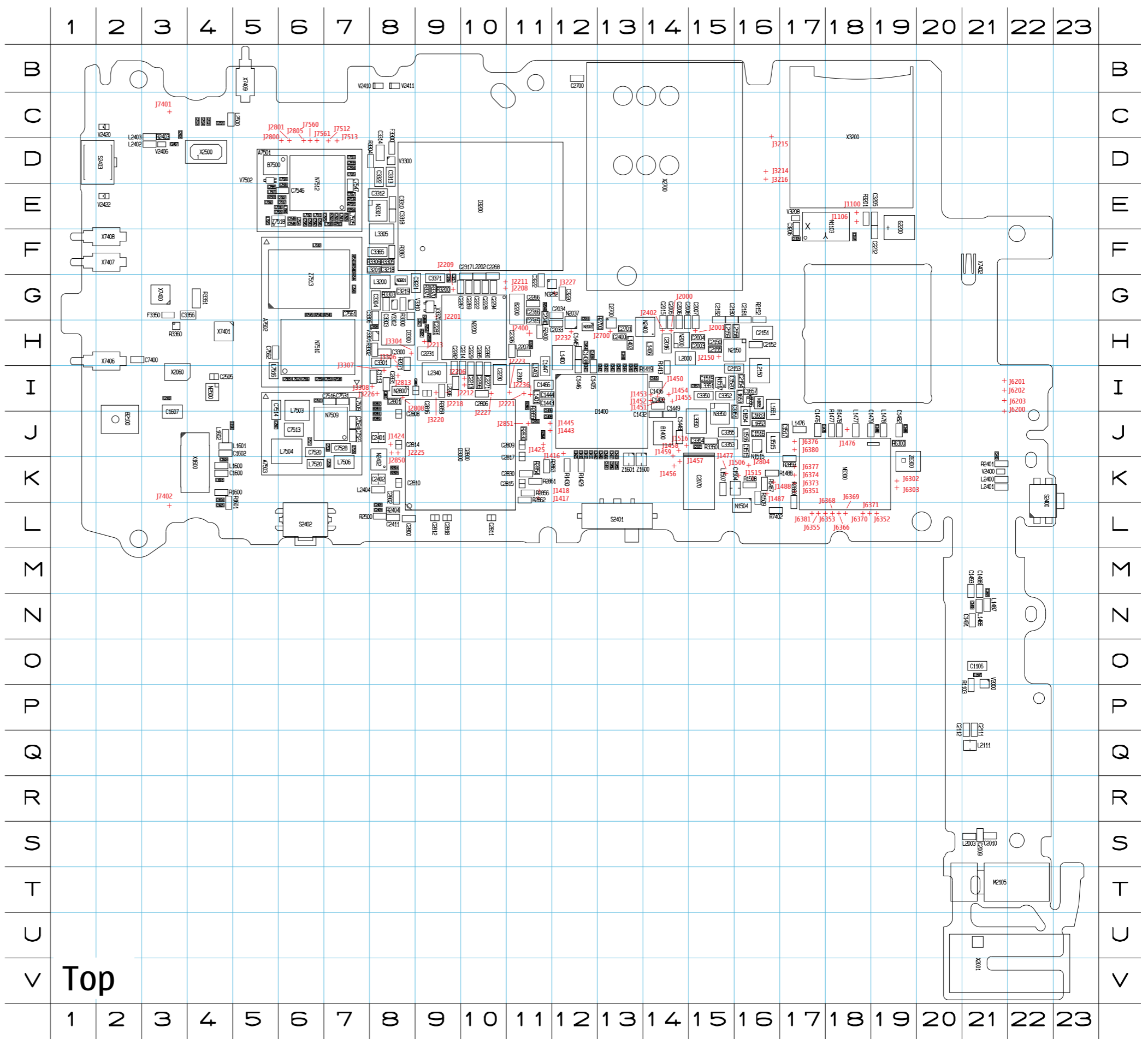


Average 19.2 Mhz
50ns/div 200mV/div, probe x1



- (1) - SD card inserted, measured while running "Memory card test" in Phoenix.
- (2) - SIM inserted.
- (3) - Measure while running "ST_DIGIMIC_TEST" self-test in Phoenix.
- (4) - USB connected.
- (5) - Camera on.
- (6) - HDMI connected.

A	C1515	J16	C2317	G10	C3357	I15	L1476	J17	N2400	H14	R3351	G4	
A7501	E6	C1516	J16	C2326	H11	C3365	I15	L1477	J18	N2402	K8	R3360	H3
A7502	G6	C1517	J17	C2400	H13	C3371	F8	L1478	J19	N2500	I4	R3367	F8
A7503	J6	C1519	I15	C2401	J8	C7400	G9	L1487	N21	N2800	I8	R3370	G9
B	C1520	I15	C2402	K8	C7500	D6	L1488	N21	N3201	G8	R3371	G9	
B1400	J14	C1600	K4	C2403	C3	C7501	E7	L1507	K15	N3252	G12	R6300	J19
B2100	J2	C1601	K4	C2407	D3	C7502	E6	L1515	J16	N3301	E8	R7402	L16
B2200	G11	C1602	J4	C2408	L8	C7503	D7	L1516	J16	N3350	J15	R7501	E7
B7500	D5	C1603	K4	C2409	L8	C7504	D7	L1600	K4	N6300	K18	R7502	E7
C	C1604	K4	C2410	J21	C7505	D7	L1601	J4	N7509	J7	R7503	E7	
C1104	F18	C1605	L4	C2411	L8	C7506	E6	L1602	J4	N7510	H6	R7504	E7
C1105	F17	C1606	J4	C2501	C4	C7507	J5	L1651	I16	N7512	D6	R7505	E7
C1106	O21	C1607	J3	C2502	C4	C7508	J7	L1652	J16	R	R7509	E5	
C1107	O21	C1653	J16	C2503	C4	C7509	E6	L1653	I16	R1103	P21	R7538	I7
C1113	I8	C1654	J16	C2504	C4	C7510	E6	L2000	H14	R1413	I14	R7539	E7
C1400	I14	C1657	I16	C2505	I4	C7511	I6	L2003	S21	R1419	I14	R7540	G6
C1401	I13	C2003	H15	C2700	B12	C7512	E6	L2111	Q21	R1429	K12	R7541	F7
C1402	I13	C2004	H15	C2701	H13	C7513	J6	L2150	I16	R1430	K12	R7542	F7
C1403	I13	C2005	H14	C2800	L8	C7514	I5	L2158	H16	R1477	J18	R7544	G7
C1404	J13	C2006	H14	C2801	I8	C7516	I7	L2159	H15	R1478	J18	R7545	G6
C1405	I12	C2007	H15	C2802	K8	C7520	J6	L2202	G10	R1487	K16	R7546	G7
C1408	J11	C2008	H14	C2806	I10	C7521	J6	L2206	I9	R1488	K16	S	
C1410	J12	C2009	S21	C2808	J8	C7523	J7	L2207	H11	R1508	K16	S2400	K22
C1412	J12	C2010	S21	C2809	J11	C7524	J7	L2310	I11	R1509	K16	S2401	L13
C1414	H12	C2011	G12	C2810	K8	C7528	J7	L2340	I9	R1600	K4	S2402	L6
C1415	K13	C2015	H14	C2811	L10	C7529	J7	L2400	K21	R1601	L4	S2403	D2
C1416	K13	C2016	H14	C2812	L9	C7531	I7	L2401	K21	R2044	G11	V	
C1417	J12	C2033	H12	C2814	J8	C7539	D7	L2402	D3	R2071	H8	V1656	I16
C1419	I13	C2034	G12	C2815	K11	C7540	G7	L2403	C3	R2152	G16	V2000	O21
C1422	I13	C2040	G11	C2816	I9	C7541	E6	L2404	K8	R2400	H11	V2400	K21
C1423	I12	C2070	K15	C2817	J11	C7542	E6	L2500	C4	R2401	K21	V2406	D3
C1424	I13	C2072	J15	C2818	L9	C7543	E6	L3200	G8	R2403	C3	V2410	B8
C1425	J12	C2100	I3	C2819	I9	C7545	E6	L3201	F8	R2404	L8	V2411	B8
C1426	I11	C2111	P21	C2821	I8	C7546	E6	L3305	F8	R2500	L8	V2420	C2
C1427	J13	C2112	P21	C2830	K11	C7547	E7	L3350	J15	R2700	H13	V2422	E2
C1431	K13	C2150	H15	C2831	I8	C7548	E6	L3351	I15	R2804	K8	V3208	E17
C1432	J14	C2151	H16	C2850	J11	C7549	E6	L7501	E6	R2805	K8	V3300	D8
C1433	J13	C2152	H16	C3205	E19	C7553	I7	L7503	I6	R2830	J11	V3301	H8
C1435	I14	C2153	I16	C3206	E17	C7559	I6	L7504	J6	R2850	J8	V3302	G8
C1436	I14	C2154	I16	C3216	G9	C7560	E5	L7505	E7	R2851	J8	V3310	G8
C1438	H12	C2154	H15	C3217	G9	C7561	G7	L7506	K7	R2852	I8	V3370	G9
C1439	H12	C2180	G15	C3218	F8	C7562	H5	L7507	E5	R2853	I8	V7502	D5
C1440	J13	C2181	G16	C3219	G8	C7565	I6	L7508	E7	R2854	K11	X	
C1441	H13	C2182	G15	C3220	G12	C7566	I6	L7509	I7	R2855	J11	X1600	K4
C1442	J12	C2213	I10	C3221	G9	C7567	E7	L7510	F6	R2856	K11	X2001	V22
C1443	I11	C2214	I10	C3222	G11	C7575	E7	L7511	E6	R2858	I9	X2060	I3
C1444	I11	C2222	G10	C3300	H8	C7579	K7	L7512	E6	R2859	K17	X2500	D4
C1445	H12	C2228	G10	C3301	H8	C7581	E5	L7513	E7	R2860	K17	X2700	D14
C1446	I12	C2229	I10	C3303	G8	D	L7516	I5	R2861	K11	X3200	C18	
C1447	I11	C2230	I10	C3304	G8	D1400	J13	L7520	K6	R2862	K11	X7400	G3
C1448	J14	C2231	H9	C3306	G8	D2700	H13	L7522	I6	R2863	K11	X7401	H4
C1449	J14	C2232	F19	C3307	H9	D2800	J9	L7524	E6	R2864	J11	X7402	F21
C1465	I13	C2266	G11	C3308	H8	D3000	J9	L7525	E5	R2865	I11	X7406	H2
C1466	I11	C2267	G10	C3310	E8	D3200	E10	M	R2868	G9	X7407	F2	
C1476	J17	C2268	G10	C3312	E8	D3300	H8	M2105	T22	R2869	H9	X7408	F2
C1478	J17	C2269	G10	C3313	D8	F	N	R2870	H9	X7409	B5		
C1479	J19	C2271	I10	C3314	D8	F3300	D8	N1103	E18	R2871	H9	Z	
C1481	J19	C2280	I10	C3318	E8	F3350	G3	N1504	L16	R3200	G9	Z1600	K13
C1482	J19	C2281	H9	C3322	D8	G	N1515	J16	R3201	E18	Z1601	K13	
C1484	J19	C2282	I9	C3350	I15	G2200	E19	N1517	I15	R3300	G8	Z6300	K19
C1487	M21	C2285	I10	C3351	J16	L	N1651	I16	R3302	H8	Z7513	G6	
C1488	M21	C2289	H11	C3352	I15	L1400	H12	N2000	H14	R3303	G8	Z7518	E6
C1490	N21	C2294	G10	C3353	J15	L1401	I11	N2001	H12	R3304	D8		
C1491	N21	C2296	I10	C3354	J15	L1402	H13	N2037	H12	R3305	F8		
C1493	M21	C2315	H11	C3355	J15	L1403	I11	N2150	H16	R3306	F8		
C1504	K16	C2316	G11	C3356	G4	L1406	H14	N2200	H10	R3350	J15		



A	L6201	J21
A6200	J21	L6300 L18
B	L6701	L21
B2101	D16	N
C	N1104	O21
C1100	N21	N1105 B9
C1108	B10	N1653 H21
C1109	B10	N1654 G21
C2002	S21	N6200 J21
C2071	K15	R
C2101	C16	R1650 G21
C2108	T22	R1651 G21
C2109	S22	R2200 I16
C2110	T22	V
C2412	L17	V1100 N21
C2413	L16	V1657 F21
C6200	J21	V2002 S21
C6201	J21	V2003 S21
C6202	J21	V3388 B8
C6203	J21	V6300 L17
C6204	I21	V6301 L18
C6205	I21	X
C6206	J21	X1476 H18
C6207	J21	X1505 K18
C6209	I21	X1650 G22
C6210	I21	X2070 J15
C6211	J21	X3300 B6
C6212	I21	X6700 L22
C6300	L18	X6701 K21
C6302	L18	X6702 L18
D	X7403	N21
D1653	H21	X7404 T21
G	Z	
G6200	K21	Z1650 H21
H	Z1651	H21
H1487	M20	Z1652 G21
L	Z1653	G21
L2001	S21	Z2000 S21
L2002	S21	Z3300 C8
L2105	T22	Z3301 C8
L2106	T22	Z6200 K21
L3300	B8	Z6700 K20

