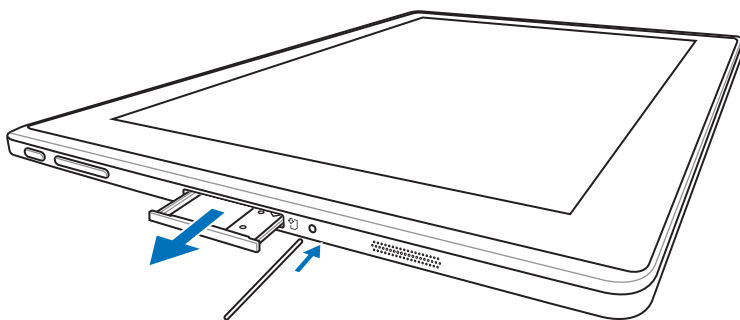


# Eee Pad QSG

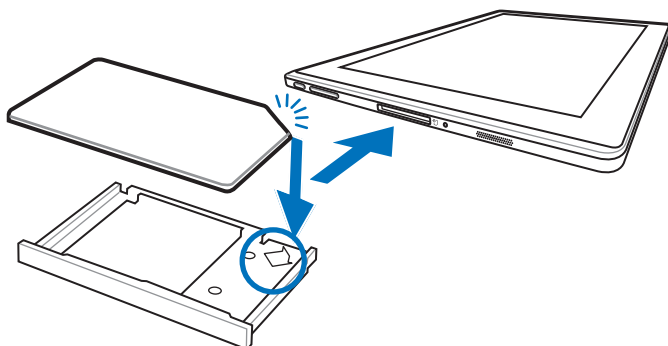
## TF101G 3G Connection Manager

### Installing SIM card

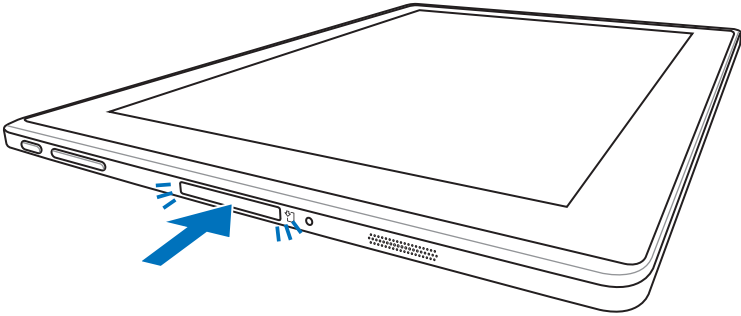
1. Use a straightened paper clip to press the SIM card tray eject button.



2. Remove the tray from the slot. Orient and place the SIM card on the tray.



3. Firmly push the SIM card tray back to the slot.

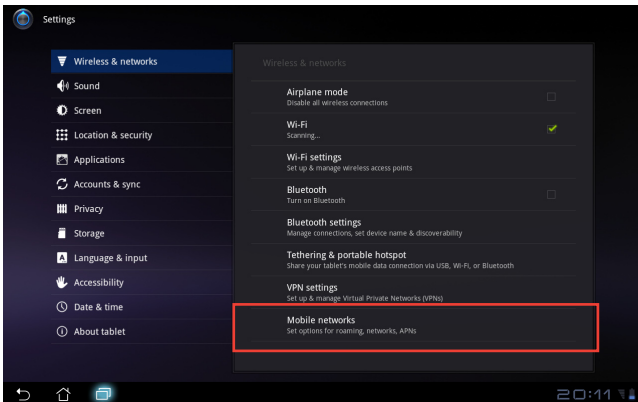


## Configuring APN settings

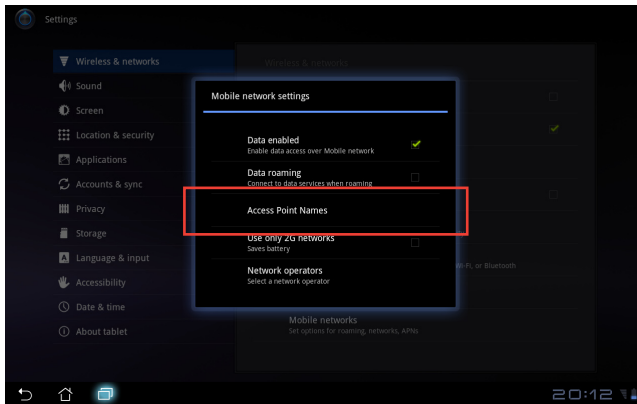
Most of the time, your Eee Pad automatically detects and connects to the 3G network right after your install the SIM card. If not, follow the instructions to manually configure the Access Point Name (APN) settings on your Eee Pad.

To configure APN settings

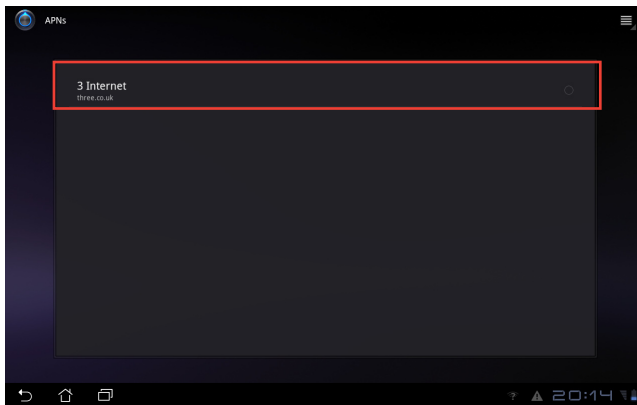
1. Tap **Apps** button on the top right corner and tap **Settings**.
2. Tap **Wireless & networks** on the left and tap **Mobile networks**.



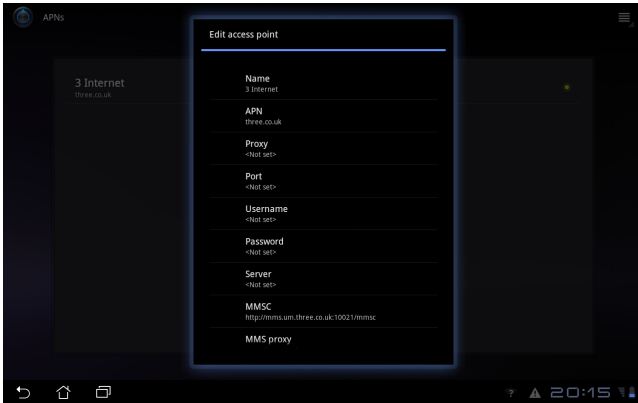
### 3. Tap **Access Point Names**.



### 4. Tap your service provider.



5. Call your mobile service provider, ask for the APN related information and fill in all the fields needed. Scroll down for more fields.



Generally you need to fill in **APN, MMS C, MMS proxy, MCC, and MNC**. The required fields for APN may vary with your 3G network service provider.



Wireless network has a higher priority. Your Eee Pad will connect to the Internet through the wireless access point when WiFi and 3G networks are both available. Disable WiFi function if you would like to surf the web through 3G networks.

# Appendix

## RF Exposure information (SAR)

THIS MODEL MEETS INTERNATIONAL GUIDELINES FOR EXPOSURE TO RADIO WAVES.

Your mobile device is radio transmitter and receiver. It's designed not to exceed the limits for exposure to radio waves recommended by international guidelines. These guidelines were developed by the independent scientific organization ICNIRP and include safety margins designed to assure the protection of all persons, regardless of age and health.

The guidelines use a unit of measurement known as the Specific Absorption Rate, or SAR. The ICNIRP SAR limits for mobile devices used by the general public are as follows:

### **Eee Pad TF101G**

Max. SAR Measurement (10g)

GSM 900: 1.38 W/kg

GSM 1800: 0.907 W/kg

WCDMA I: 1.19 W/kg

WCDMA VIII: 1.27 W/kg

WLAN 2.4G: 0.153 W/kg

This equipment may be operated in:							
AT	BE	BG	CH	CY	CZ	DE	DK
EE	ES	FI	FR	GB	GR	HU	IE
IT	IS	LI	LT	LU	LV	MT	NL
NO	PL	PT	RO	SE	SI	SK	TR

- **Products with 2.4–GHz Wireless LAN Devices France**

L'utilisation de cet équipement (2.4GHz wireless LAN) est soumise à certaines restrictions: cet équipement peut être utilisé à l'intérieur d'un bâtiment en utilisant toutes les fréquences de 2400 à 2483.5MHz (Chaîne 1–13). Pour une utilisation en environnement extérieur, les fréquences comprises entre 2400-2454 MHz (Chaîne 1-9) peuvent être utilisées. Pour les dernières restrictions, voir <http://www.art-telecom.fr>.

For 2.4–GHz wireless LAN operation of this product, certain restrictions apply. This equipment may use the entire–2400–MHz to 2483.5–MHz frequency band (channels 1 through 13) for indoor applications. For outdoor use, only 2400-2454 MHz frequency band (channels 1-9) may be used. For the latest requirements, see <http://www.art-telecom.fr>.

- **Wireless LAN Module's Maximum EIRP**

Frequency Ranges (MHz)	Indoors	Outdoors
2400 MHz ~ 2446.5 MHz	10mW	Not Permitted
2446.5 MHz ~ 2483.5 MHz	100mW	100mW on private property with Ministry of Defense approval.

- Users only use the charge with Adaptor, you can not use the connection to USB interfaces with USB 2.0 version or higher.
- Please make sure the temperature for adapter will not be higher than 40 °C
- Please make sure the temperature for device will not be higher than 40 °C
- The device could be used with a separation distance of 0cm to the human body.
- The adaptor shall be installed near the equipment and shall be easily accessible.

# EC Declaration of Conformity



We, the undersigned,

<b>Manufacturer:</b>	ASUSTek COMPUTER INC.
<b>Address, City:</b>	No. 150, LI-TE RD., PEITOU, TAIPEI 112, TAIWAN R.O.C.
<b>Country:</b>	TAIWAN
<b>Authorized representative in Europe:</b>	ASUS COMPUTER GmbH
<b>Address, City:</b>	HARKORT STR. 21-23, 40880 RATINGEN
<b>Country:</b>	GERMANY

declare the following apparatus:

<b>Product name :</b>	<b>Notebook PC</b>
<b>Model name :</b>	<b>TF101G</b>

conform with the essential requirements of the following directives:

**2004/108/EC-EMC Directive**

<input checked="" type="checkbox"/> EN 55022:2006+A1:2007	<input checked="" type="checkbox"/> EN 55024:1998+A1:2001+A2:2003
<input checked="" type="checkbox"/> EN 61000-3-2:2006	<input checked="" type="checkbox"/> EN 61000-3-3:2008
<input type="checkbox"/> EN 55013:2001+A1:2003+A2:2006	<input type="checkbox"/> EN 55020:2007

**1999/5/EC-R & TTE Directive**

<input checked="" type="checkbox"/> EN 300 328 V1.7.1(2006-05)	<input checked="" type="checkbox"/> EN 301 489-1 V1.8.1(2008-04)
<input type="checkbox"/> EN 300 440-1 V1.4.1(2008-05)	<input type="checkbox"/> EN 301 489-3 V1.4.1(2002-08)
<input type="checkbox"/> EN 300 440-2 V1.2.1(2008-03)	<input type="checkbox"/> EN 301 489-4 V1.3.1(2002-08)
<input checked="" type="checkbox"/> EN 301 511 V9.0.2(2003-03)	<input checked="" type="checkbox"/> EN 301 489-7 V1.3.1(2005-11)
<input checked="" type="checkbox"/> EN 301 908-1 V3.2.1(2007-05)	<input type="checkbox"/> EN 301 489-9 V1.4.1(2007-11)
<input checked="" type="checkbox"/> EN 301 908-2 V3.2.1(2007-05)	<input checked="" type="checkbox"/> EN 301 489-17 V2.1.1(2009-05)
<input checked="" type="checkbox"/> EN 301 893 V1.4.1(2005-03)	<input checked="" type="checkbox"/> EN 301 489-24 V1.4.1(2007-09)
<input checked="" type="checkbox"/> EN 302 544-2 V1.1.1(2009-01)	<input type="checkbox"/> EN 302 326-2 V1.2.2(2007-06)
<input checked="" type="checkbox"/> EN 62311:2008	<input type="checkbox"/> EN 302 326-3 V1.3.1(2007-09)
<input type="checkbox"/> EN 50371:2002	<input type="checkbox"/> EN 301 357-2 V1.3.1(2008-05)
<input type="checkbox"/> EN 50385:2002	<input checked="" type="checkbox"/> EN 302 623 V1.1.1(2009-01)

**2006/95/EC-LVD Directive**

<input type="checkbox"/> EN 60950-1:2006	<input type="checkbox"/> EN 60065:2002+A1:2006+A11:2008
<input checked="" type="checkbox"/> EN 60950-1:2006+A11:2009	

**2009/125/EC-ErP Directive**

Regulation (EC) No. 1275/2008	Regulation (EC) No. 278/2009
<input checked="" type="checkbox"/> EN 62301:2005	<input checked="" type="checkbox"/> EN 62301:2005
Regulation (EC) No. 642/2009	
<input type="checkbox"/> EN 62301:2005	
	Ver. 110101

**CE marking**



(EC conformity marking)

Position : **CEO**

Name : **Jerry Shen**

Declaration Date: Jun. 10, 2011

Year to begin affixing CE marking:2011

Signature : \_\_\_\_\_

